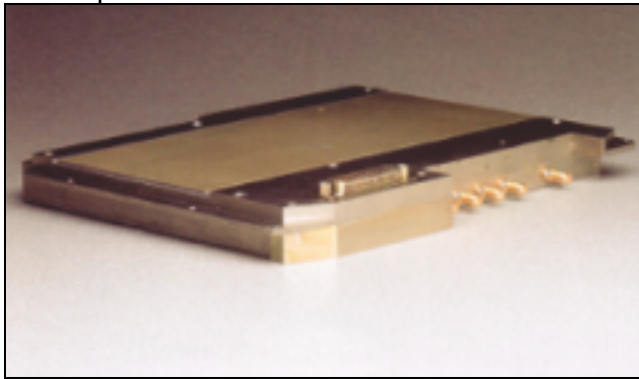




X-BAND RADAR TRANSMITTER/LO MULTIPLIER/ UP-CONVERTER



FEATURES

- Operating Frequencies:
 - IF: VHF
 - LO: L&S band
 - Output: 9-12 GHz
- 1 W (30 dBm) Saturated Output
- Temperature Compensated (-20°C-+80°C)
- High Gain
- Fast Switching Speed
- Fully Militarized
- Low Spurious Output
- BIT Capability
- Coherent LO & Tx Output

PERFORMANCE

- Output Power 30 dBm
- 30 dB Conversion Gain
- 3 LO Ports
- x3, x4 & x12 Multiplication
- 60 ns Rise Time max
- Pulsed Detector Output
- -50 dBc Spurious max

PACKAGING

- Hermetically Sealed
- SMA/BMA Interface
- Low Profile
- Finish: Nickel Plating

APPLICATIONS

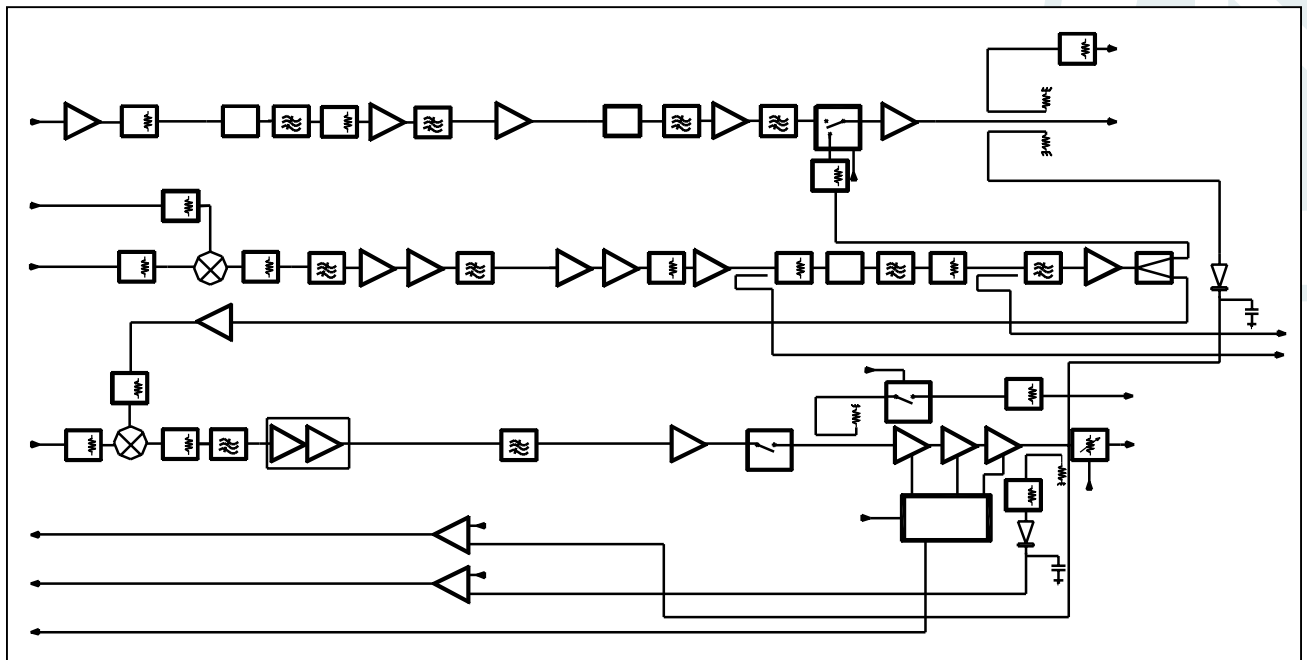
- Transmitter for Avionics Surveillance
- Search and Rescue Radar

Nanowave Technologies Inc.

425 Horner Avenue, Etobicoke, Ontario M8W 4W3 Canada

Tel: 416.252.5602 | Fax: 416.252.7077 | www.nanowavetech.com

OUTLINE DIAGRAM



CHARACTERISTICS

PARAMETER	UNITS	MIN.	MAX.	TYPICAL
IF Input Frequency	MHz	150	400	
LO1	GHz			1
LO2	GHz			2.7
LO3	GHz			2.2
Output 1				
Frequency	GHz	9.2	10.2	
Power (P_{sat})	dBm	29	31	30
Switching Speed	nS		60	
Attenuator Range	dB	10		
Output 2 (LO)				
Frequency	GHz	11.0	12.5	
Power (P_{sat})	dBm			15
Spurious	dBc		-50	
DC Power Consumption	W		20	
Operating Temperature Range	°C	-40	+75	

Specifications are subject to change without notification. Consult Nanowave Technologies, Inc. for specific applications/requirements.