



BROAD BAND MULTIFUNCTION INTEGRATED MODULES (MIM)

Parameter	MC2272	MC2273	MC2274
RF Frequency (GHz)	0.5-2.0	2.0-8.0	8.0-18.0
Down converted IF Frequency (MHz)	120.0-425.0	120.0-525.0	120.0-525.0
Nominal Attenuation range (dB)	28	28	28
Nominal Attenuation Step	4	4	4
Min LO-IF, LO - RF in Isolation (dB)	20	20	20
Min RF-RF, RF-IF Isolation (dB)	60	60	60
Max. RF-RF, RF-IF Noise figure (dB)	9.5	9.5	9.5

FEATURES

- TTL Controlled Switch
- Variable Attenuation
- Broad Band Down Conversion
- High Port-to-port Isolation

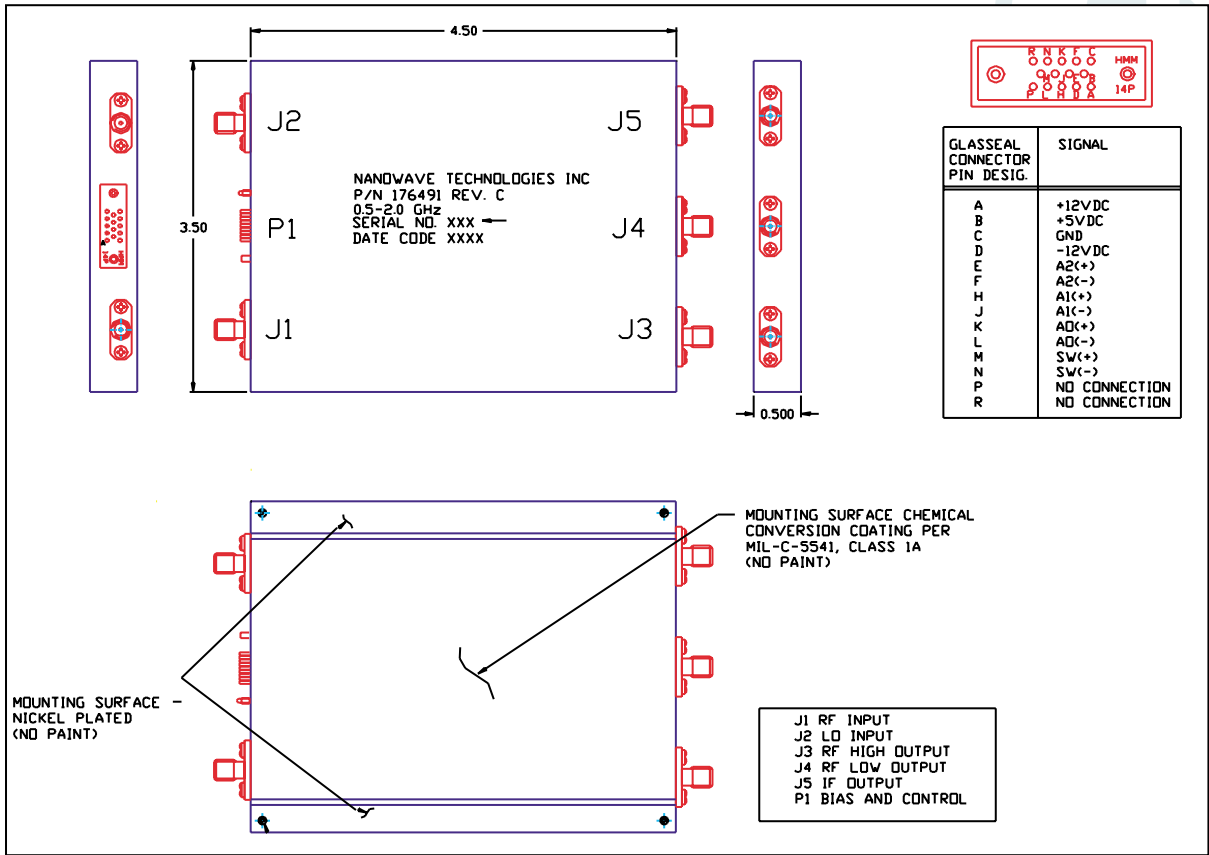
PACKAGING

- Hermetically Sealed
- Input/Output SMA Connectors
- Size: 4.500" x 3.500" x 0.500"
(applicable to MC2272, MC2273, MC2274)

APPLICATIONS

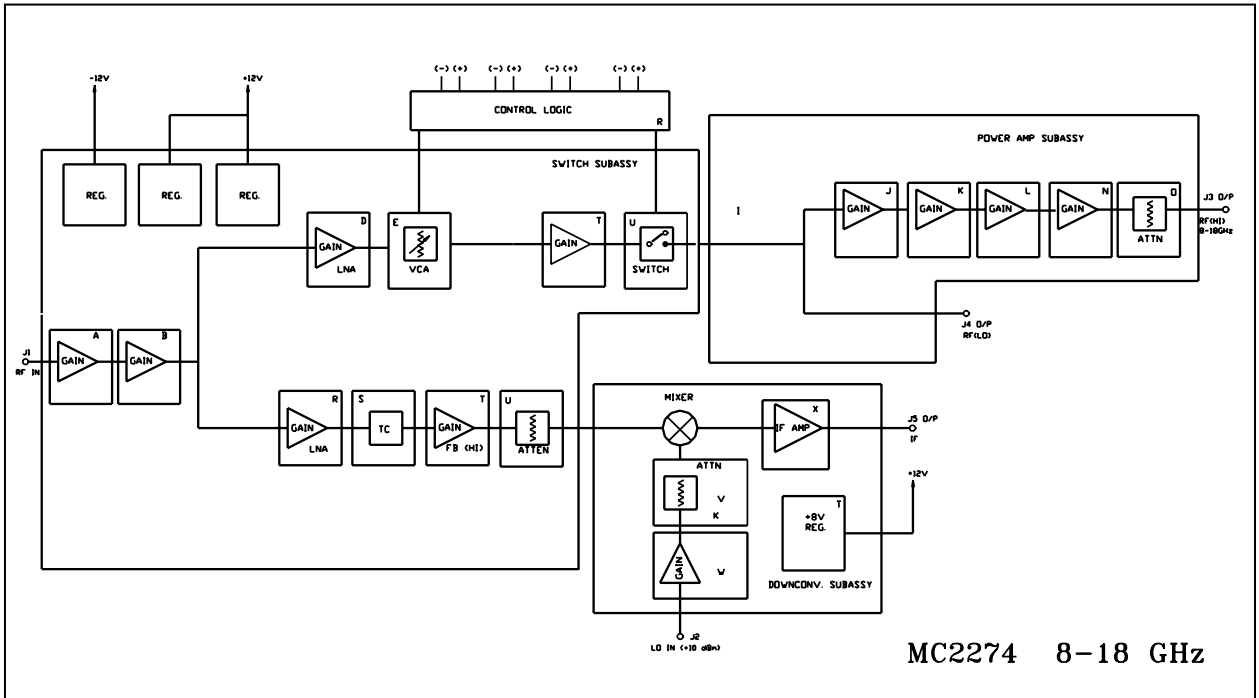
- EW, ECM

OUTLINE DIAGRAM



SCHEMATIC

For module MC2274, to show typical configuration



Specifications are subject to change without notification. Consult Nanowave Technologies, Inc. for specific applications/requirements.