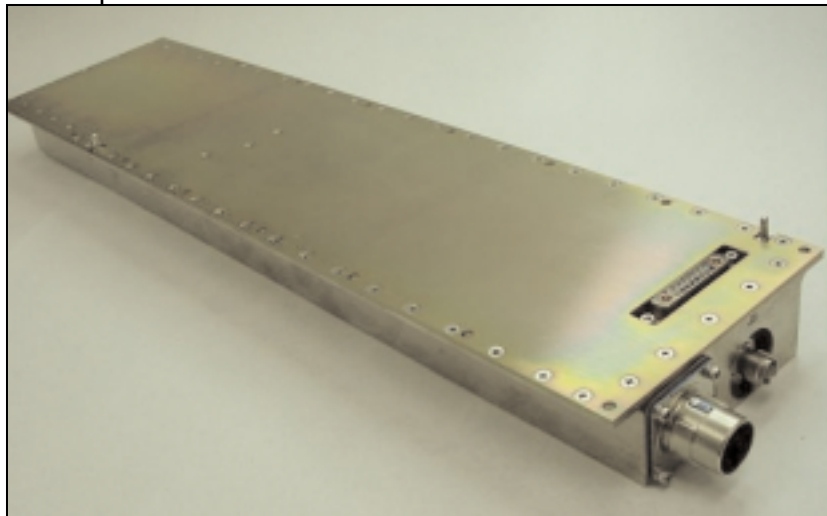




## L-BAND TRANSCEIVERS



### FEATURES

- L-Band Frequency
- Output Power 100 Watt min
- Harmonic Suppression
- Two-Tone Suppression
- Status/Control Functions:
  - VSWR Fault & Control
  - Lower Power Fault
  - Overvoltage Protection
  - Undervoltage Protection
  - Overcurrent Protection
  - Overtemperature Protection

### PACKAGING

- Low Profile
- Waveguide Interface
- OMT or Bracket Mount
- Weather Proof Outdoor Closure

### APPLICATIONS

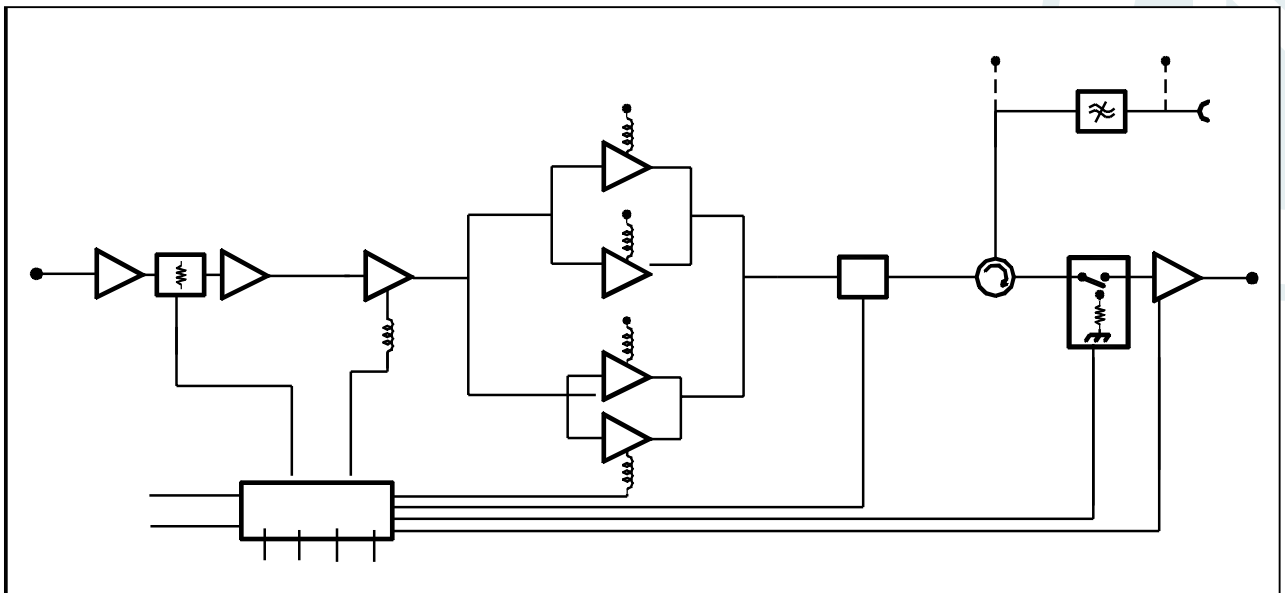
- GPS

**Nanowave Technologies Inc.**

**425 Horner Avenue, Etobicoke, Ontario M8W 4W3 Canada**

Tel: 416.252.5602 | Fax: 416.252.7077 | [www.nanowavetech.com](http://www.nanowavetech.com)

## OUTLINE DIAGRAM



## CHARACTERISTICS

### TRANSMITTER

Frequency	L - Band
Output Power	100 Watt min
Harmonics	-60 dBc
Input Drive Level	13 dBm nominal
Input VSWR	2:1 max

### RECEIVER

Frequency	L - Band
Noise Figure	4.0 dB max
VSWR	1.5:1
Two Tone Suppression	-84 dBc, ou tput tones at -35 dBm each
Gain	22 ± 2 dB
Total Power Dissipation	325 Watt max
Input Voltage	28 V

Specifications are subject to change without notification. Consult Nanowave Technologies, Inc. for specific applications/requirements.